

PRODUCT SPECIFICATIONS

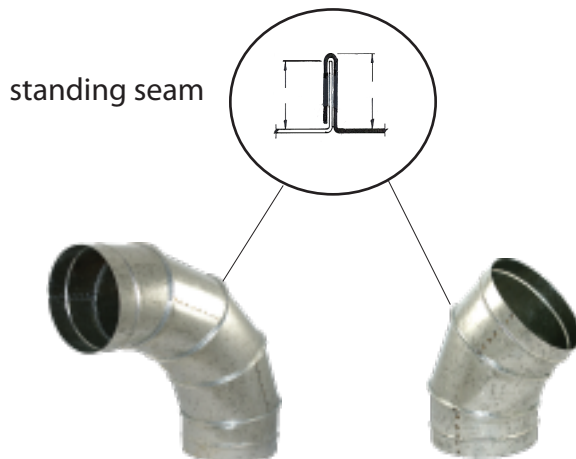
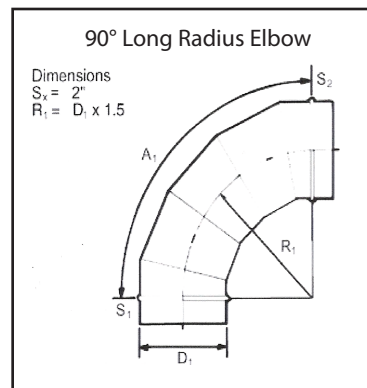
Segmented Standing Seam Elbows

MODULAR METAL FABRICATORS INC.

DESCRIPTION

Modular Metal Segmented Standing Seam Elbows both 90° and 45° are manufactured using a Gore Locker Machine. Each Gore is carefully assembled to insure an airtight seam, while the Circumferential Standing Seam provides optimum mechanical strength and the smooth inside reduces frictional loss.

Sizes range from 6" to 48" in a variety of gauges. Our round capacity has you covered. Products can be ordered in 1 1/2 x radius and standard radius nominal and undersized.



Short Radius 90°



Long Radius 90° (1 1/2 x radius)



Short Radius 45°



Long Radius 45° (1 1/2 x radius)

