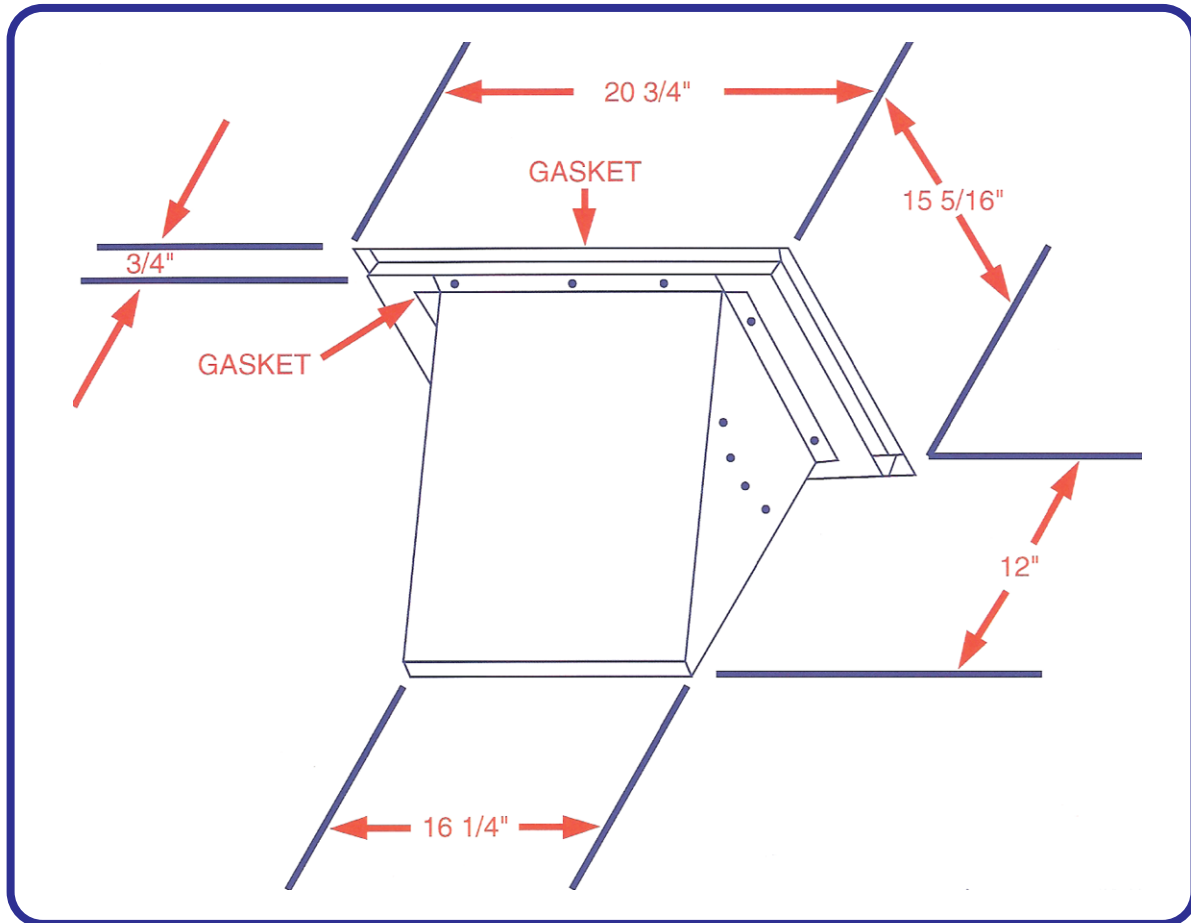




PRODUCT SPECIFICATIONS

MODULAR METAL FABRICATORS INC.

Modular Adjustable Eyebrow



Manual Fresh Air Hood With Back Draft Damper Manual Fresh Air Damper

Damper shall consist of damper and rainhood which is manually preset to admit 35% of outside air for field installation.

INSTALLER TO SEAL ALL CORNERS
AND JOINTS ON MANUAL FRESH AIR
HOOD WITH DAMPER AS NECESSARY

IMPORTANT NOTE:

MEASURE AMP DRAW OF THE INDOOR MOTOR. IF AMP IS GREATER THAN THE NAMEPLATE RATING, THEN THE FRESH AIR DAMPER SHOULD BE ADJUSTED TOWARD THE CLOSED POSITION UNTIL THE AMP DRAW IS LESS THEN THE NAMEPLATE RATING.