



PRODUCT CATALOG

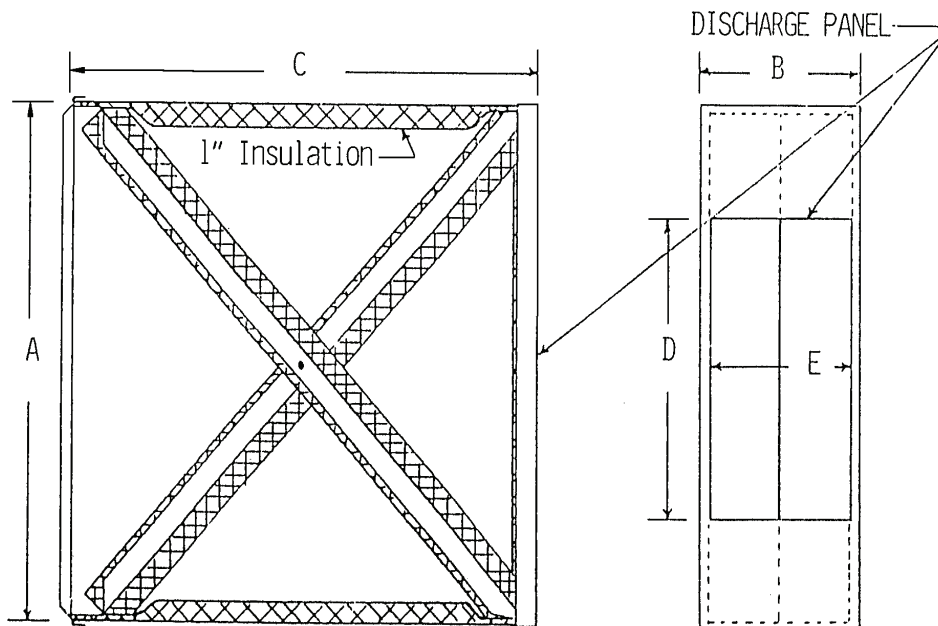
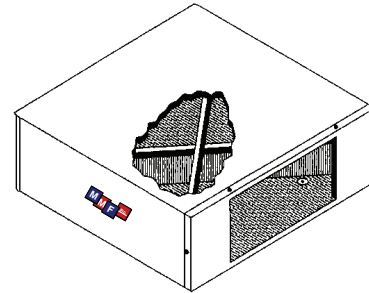
MODULAR METAL FABRICATORS INC.

Double Duct Attenuator - Assembled

Per *Krueger* Specifications - 1" Liner - 24 Gauge

LMHD	#4	#5	#6	#7	#8
Order QTY					

LMHD	#9	#10	#12	#14	#16
Order QTY					



NO.	ATTENUATOR SIZE			DISCHARGE PANEL SIZE	
	A	B	C	D	E
4, 5, 6	24 1/8"	8"	23"	14"	7 1/4"
7, 8	24 1/8"	10"	23"	18"	9 1/4"
9, 10	28 1/8"	12 1/2"	35"	22"	11 3/4"
12	32 1/8"	15"	35"	25"	14 1/4"
14	40 1/8"	17 1/2"	35"	30"	14 1/4"
16	48 1/8"	18"	35"	34"	16 1/2"